

# ELECTRIC SULFUR MIXER



**RECK**



## RECK electric slurry mixer, type BLIZZARD

With a robust overall construction, powerful motor drives and effective propeller shapes, even strongest crusts and sinking layers can be mixed. The slurry can be homogenized and pumped off easily.

Thus a regular and adjusted to the needs application of the slurry is possible. The costs for the previous mineral fertilizer is reduced due to the homogeneous slurry with the RECK electric mixer.

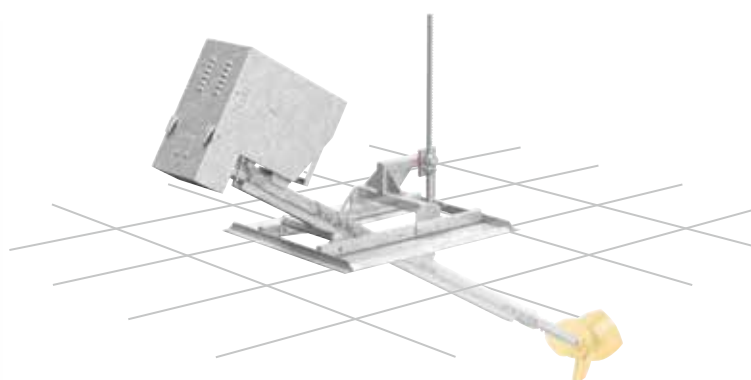
# Electric With PTO

### Standard version

Electric motor, mixer rod and a high efficiency propeller which is size wise adapted to the engine power. With an available engine power from 5,5 kW to 22 kW even strongest surface crusts and sedimentations can be mixed.

### For covered slurry pits

Optimal adapted on the opening of the covered pit. The angle adjustment of the mixer is made with rack and pinion jack.







### Technical data and advantages of the BLIZZARD mixer

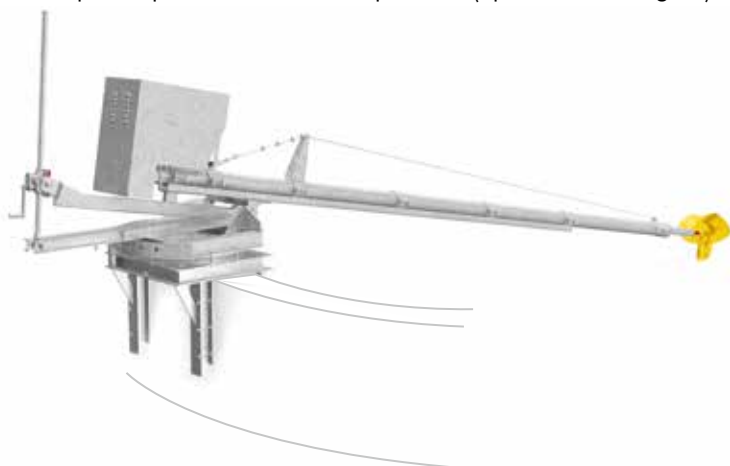
- Engine power 5,5 kW to 22,0 kW
- Maintenance friendly V-belts
- Length of the mixer 4 m to 9 m, also in V2A available
- 3-bladed high efficiency propeller
- Long lasting, ball bearing free special slide bearings in the aggressive slurry
- Mixer attaching, adjustment, drive and electricity are outside the aggressive slurry

# practical, v

drive power

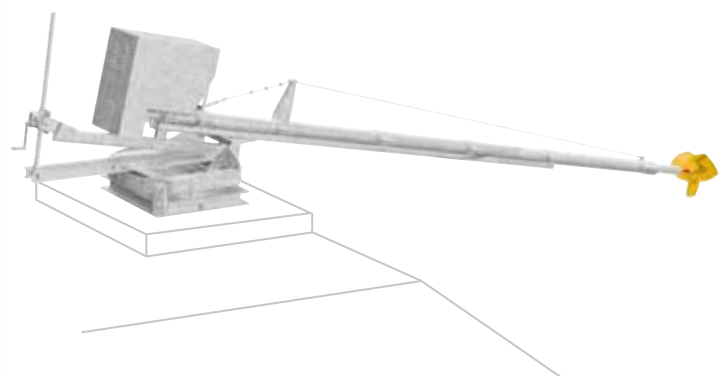
#### For open slurry pits

With this stationary fixation it is possible to install the mixer on the wall of the slurry pit. With the standard version the mixer can be swivelled, the mixer adjustment is made with a cable winch (up to 6 m). For the strong mixer version, the stationary fixation uses a slewing ring and rack with pinion jack for the mixer adjustment (up to 8 m, see figure).



#### For lagoons

The stationary fixation is made for lagoons. The stationary fixation will be mounted on a concrete base. With standard version the mixer can be swivelled, the mixer adjustment is made with a cable winch (up to 6m). For the strong mixer version, the stationary fixation uses a slewing ring and rack with pinion jack for the mixer adjustment (up to 8 m, see figure).





## Electric channel mixer FUX

The mixer FUX is a small, effective mixer for mobile and stationary use in small slurry pits and slurry channels. For an effective use in the slurry channels we recommend a mounting to adjust the inclination. (Accessory: Mounting to adjust the inclination, chassis, handles, propeller stay, transport eye and Solomobil)

### Technical data

- Engine power: 2,2 kW - 11 kW
- High efficiency propeller with  $\varnothing$  350 - 500 mm
- Length of the mixer 3 - 4 m
- Mixer tube  $\varnothing$  76 mm
- CECON-plug 32 ampere, 400 V
- Star-triangle safety switch to reverse direction for pushing and pulling mixing

- Star-triangle switch to reverse direction for pushing and pulling mixing
- Double mixing performance is possible (800 rpm) by direct PTO drive on electric mixer (depends on assembly situation)



# versatile

ful

### Fixation with quick coupling system

The fixation for front loader with quick coupling system in the standard version (up to 6 m) as well as in the strong version (from 7 m, see figure) is a useful addition for mobile use.



### Mobile use with chassis SOLOMOBIL

For the use in several pits or slurry channels a mobile chassis with manual winch and inclination adjustment is available (max. mixer length 5 m and max. 11 kW engine power).



## Standard version and strong version

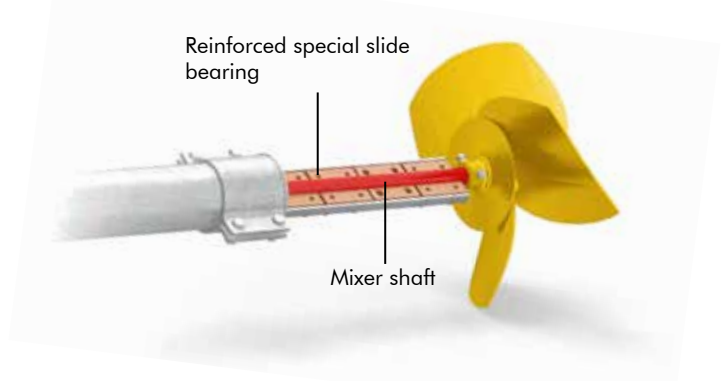
The diameter of the completely galvanized mixer rod in the standard version is 101 mm. In the strong version the

diameter is 140 mm. All mixers and most of the accessories are available in high grade steel (V2A).

## High efficiency propeller

- All three bladed high efficiency propellers are available in pushing or pulling version  
Propeller diameters from  $\varnothing$  350 mm to  $\varnothing$  600 mm

## Special slide bearings



## Accessories



Control unit for automatic interval timer



Also available with soft starter



Star-triangle safety switch



Sacrificial anode

# practical drive



Propeller stay short



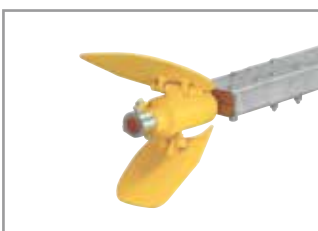
Propeller stay long



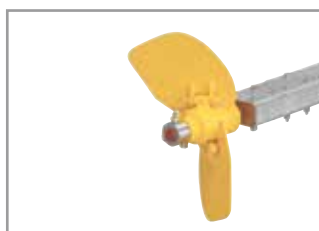
High efficiency shredder



Propeller protection ring with tyre fixation



Two-blade folding propeller (for openings from 250 mm, only pushing available, open 500 mm  $\varnothing$ )



Maintenance friendly V-belts



PTO drive on electric mixer for double performance of agitation

ELEKTRO  
SILURARY  
MIXER

# **RECK**

Agrartechnik

RECK-Technik GmbH & Co. KG  
Reckstrasse 1-5  
88422 Betzenweiler, Germany  
Tel. +49 (0) 7374 18-83  
Fax +49 (0) 7374 18-466  
info@reck-agrar.com  
www.reck-agrar.com

